

Datasheet | Wireless Pulse Bridge

The Product

- The Wireless Pulse Bridge is used in conjunction with wireless transmitters.
- Easily transfers pulses from meters in remote areas to a central location to ease accessibility.
- Simple integration with utility monitoring/reporting systems.
- 868MHZ radio offers up to 4Km wireless data transmission, line of site.
- Support up to 80 remote Pulse Transmitters



Features

- 868MHz Wireless Controller
- Simple Interface
- Plug and Play
- 5v & 12v Relay Options
- Mains powered 230v AC or 12v DC

Benefits

- Eliminates cabling required for an installation
- Interfaces to any third party system
- No software or configuration required
- Remote command and control
- Can be used for mobile applications

Overview

Wireless transmitters, battery powered, are connected to the pulse output of a meter and messages are transmitted wirelessly at frequent intervals (default 150 seconds) to the Radio receiver within the pulse bridge. A maximum of two pulses are re-generated at the Pulse Bridge, the pulse bridge provides two open collector outputs. An auxiliary output voltage is available to power relays etc. as a special order, either 5v or 12v dc.

Wireless Transmitters have two pulse inputs and can therefore be connected to up to two meters independently; alternatively, two Wireless Transmitters (in remote locations to each other) can be connected to separate meters and send their messages individually. In both cases the pulses from the meters are re-generated.

Radio extenders are also available to extend range, note only one radio extender can be used with the Pulse Bridge and the Radio Extender requires permanent power (230v AC or 12v DC special order.)

Invisible Systems Ltd

9 Beetham Road • Milnthorpe • Cumbria • LA7 7QL • ENGLAND
T: +44 (0) 1539 722 520 • F: +44 (0) 1539 564 845
E: info@invisible-systems.com • W: www.invisible-systems.com



Technical Information

Input Power	240 VAC (12v DC - Special order)
Radio Frequency	868MHZ
Output	Pulse - Open collector transistor, max of 30 VDC, 50mA, 30ms ON, 30 ms OFF.

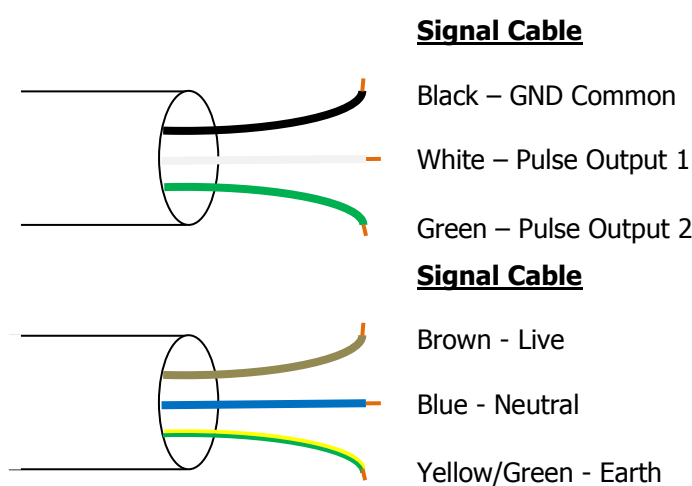
Notes

These units are usually paired to one or two pulse transmitters, one input transmitter channel can be mapped to one output channel on the receiver. Each unit has two channels for pulse replication.

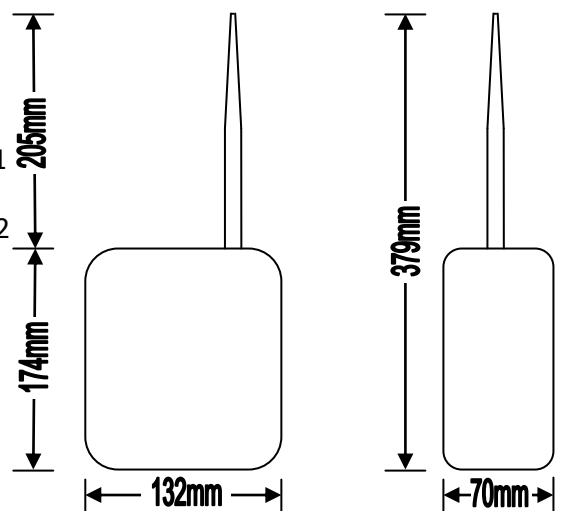
Configuration Options

One Transmitter To One Receiver	Transmitter – CH1 Black & White Receiver – CH1 Black & White Transmitter – CH2 Black & Green Receiver – CH2 Black & Green	Input 1 to Output 1 Input 2 to Output 2
Two Transmitters To One Receiver	Transmitter (1) - CH1 Black & White Receiver - CH1 Black & White Transmitter (2) - CH1 Black & White Receiver - CH2 Black & Green	TX 1 - Input 1 to Output 1 TX 2 - Input 1 to Output 2
Two Transmitters To One Receiver Via One HUB	Transmitter (1) - CH1 Black & White Receiver - CH1 Black & White Transmitter (2) – CH2 Black & Green Receiver - CH2 Black & Green	TX 1 - Input 1 to Output 1 TX - Input 2 to Output 2

Wiring Instructions



Dimensions



System Components

Description	Part Number
868MHz Wireless Pulse Transmitter	999-913-2056-A
868Mhz Wireless Pulse Bridge	T.B.A

Invisible Systems Ltd

9 Beetham Road • Milnthorpe • Cumbria • LA7 7QL • ENGLAND
 T: +44 (0) 1539 722 520 • F: +44 (0) 1539 564 845
 E: info@invisible-systems.com • W: www.invisible-systems.com

