

## The Product

- The Wireless Extender is used in conjunction with Gateways and wireless transmitters.
- The Wireless Extender is used to extend increase the range from a wireless transmitter up to 8km Line of sight back to a Wireless Gateway
- The solution integrates in to Invisible Systems Realtime Online Energy Management System.
- 868MHZ radio offers up to 4Km wireless data transmission, line of site.
- Support up to 80 remote Pulse Transmitters



## Features

- 868MHz Wireless Controller
- Simple Interface
- Plug and Play
- 5v & 12v Relay Options
- Mains powered 230v AC or 12v DC

## Benefits

- Eliminates cabling required for an installation
- Interfaces to any third party system
- No software or configuration required
- Remote command and control
- Can be used for mobile applications

## Overview

Wireless transmitters, battery powered, are connected to the pulse output of a meter and messages are transmitted wirelessly at frequent intervals (default 150 seconds) to the Radio receiver within the Wireless Extender. A maximum of two pulses are re-generated at the Pulse Bridge, the pulse bridge provides two open collector outputs. An auxiliary output voltage is available to power relays etc. as a special order, either 5v or 12v dc.

Wireless Transmitters have two pulse inputs and can therefore be connected to up to two meters independently; alternatively, two Wireless Transmitters (in remote locations to each other) can be connected to separate meters and send their messages individually. In both cases the pulses from the meters are re-generated.

Wireless extenders are also available to extend range of a Pulse Bridge, note only one radio extender can be used with the Pulse Bridge and the Radio Extender requires permanent power (230v AC or 12v DC special order.)

### Invisible Systems Ltd

9 Beetham Road • Milnthorpe • Cumbria • LA7 7QL • ENGLAND  
 T: +44 (0) 1539 722 520 • F: +44 (0) 1539 564 845  
 E: info@invisible-systems.com • W: www.invisible-systems.com



## Technical Information

<b>Input Power</b>	240 VAC (12v DC - Special order)
<b>Radio Frequency</b>	868MHZ
<b>Output</b>	Pulse - Open collector transistor, max of 30 VDC, 50mA, 30ms ON, 30 ms OFF.

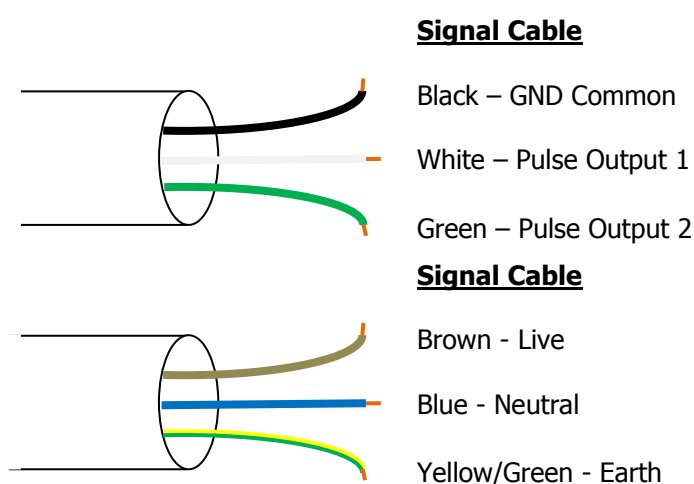
## Notes

These units are usually paired to one or two pulse transmitters, one input transmitter channel can be mapped to one output channel on the receiver. Each unit has two channels for pulse replication.

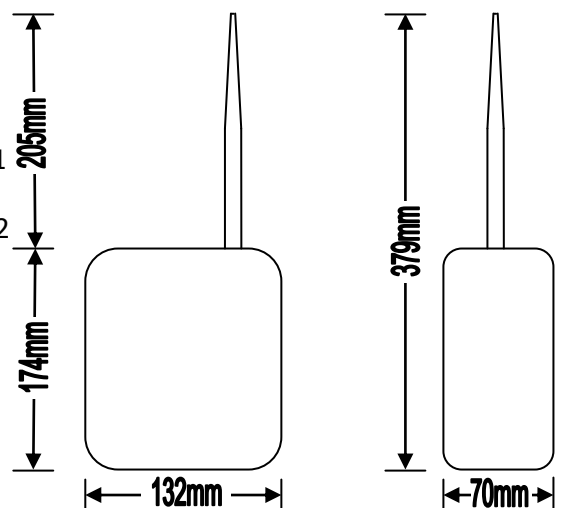
## Configuration Options

One Transmitter To One Receiver	<b>Transmitter</b> – CH1 Black & White <b>Receiver</b> – CH1 Black & White <b>Transmitter</b> – CH2 Black & Green <b>Receiver</b> – CH2 Black & Green	Input 1 to Output 1 Input 2 to Output 2
Two Transmitters To One Receiver	<b>Transmitter (1)</b> - CH1 Black & White <b>Receiver</b> - CH1 Black & White <b>Transmitter (2)</b> - CH1 Black & White <b>Receiver</b> - CH2 Black & Green	TX 1 - Input 1 to Output 1 TX 2 - Input 1 to Output 2
Two Transmitters To One Receiver Via One HUB	<b>Transmitter (1)</b> - CH1 Black & White <b>Receiver</b> - CH1 Black & White <b>Transmitter (2)</b> – CH2 Black & Green <b>Receiver</b> - CH2 Black & Green	TX 1 - Input 1 to Output 1 TX - Input 2 to Output 2

## Wiring Instructions



## Dimensions



## System Components

Description	Part Number
868MHz Wireless Transmitter	999-913-2056-A
868Mhz Wireless Extender	T.B.A

## Invisible Systems Ltd

9 Beetham Road • Milnthorpe • Cumbria • LA7 7QL • ENGLAND  
T: +44 (0) 1539 722 520 • F: +44 (0) 1539 564 845  
E: info@invisible-systems.com • W: www.invisible-systems.com

